

Open Frame LCD

Open Frame LCD



10.4"

Specifications

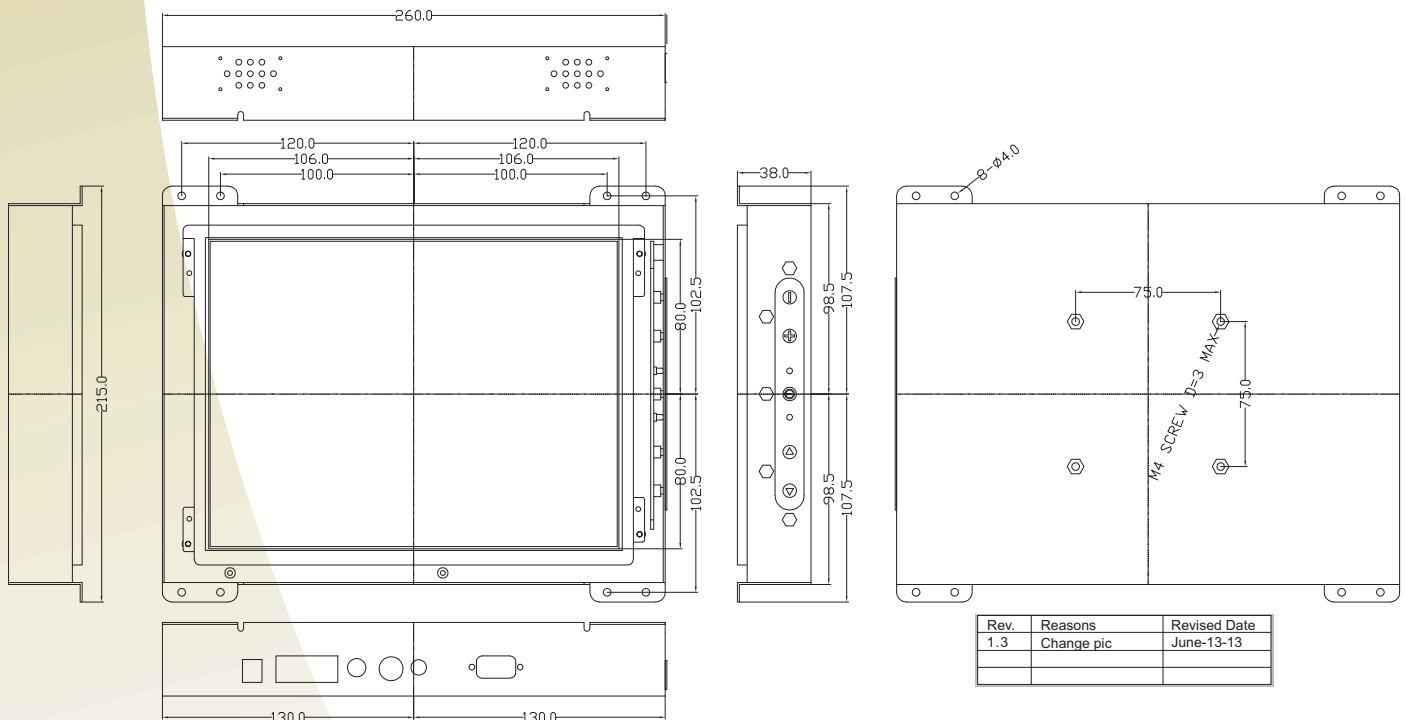
RoHS
COMPLIANT
2002/95/EC

Model Name	R10L100-OFT2
Viewable Size Image	10.4"
Active Display Area(mm)	210.4 (H) x 157.8 (V)
Pixel Pitch(mm)	0.0685(H) x 0.2055 (V)
Number of Pixels	1024x768
Contrast Ratio	1200:1(typ.)
Display Color	16.2M
Brightness(cd/m ²)	350 (typ.)
Viewing Angle(CR>=10)	-88~88 (H); -88~88 (V)
Synchronization Range	31.5~60KHz/60~75Hz
Horizontal/Vertical	
Recommended Resolution	1024x768@60Hz,75Hz
Signal Connector	15 pin D-Sub
Power Source	12V DC in, with External AC to DC Adapter (100~240V AC)
Power Consumption	15W typical, normal operation
Power Management	VESA DPMS Compliant
Plug & Play	VESA DDC 1/2B
Optional Video Input	S-Video, Composite
Optional DVI Input	No
Optional Touch Screen	Resistive

Remarks: R10L100 series= VGA input only

R10L110 series= VGA+Video Input

Mechanical Drawing



* Note: this is a simplified drawing and some components are not marked in detail. Please contact our sales representative if you need further product information.