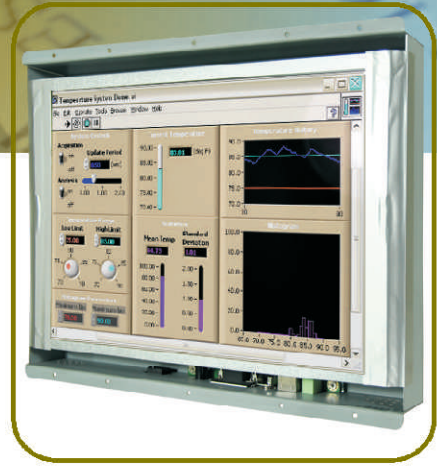


Open Frame LCD

Open Frame LCD



12.1"

Specifications

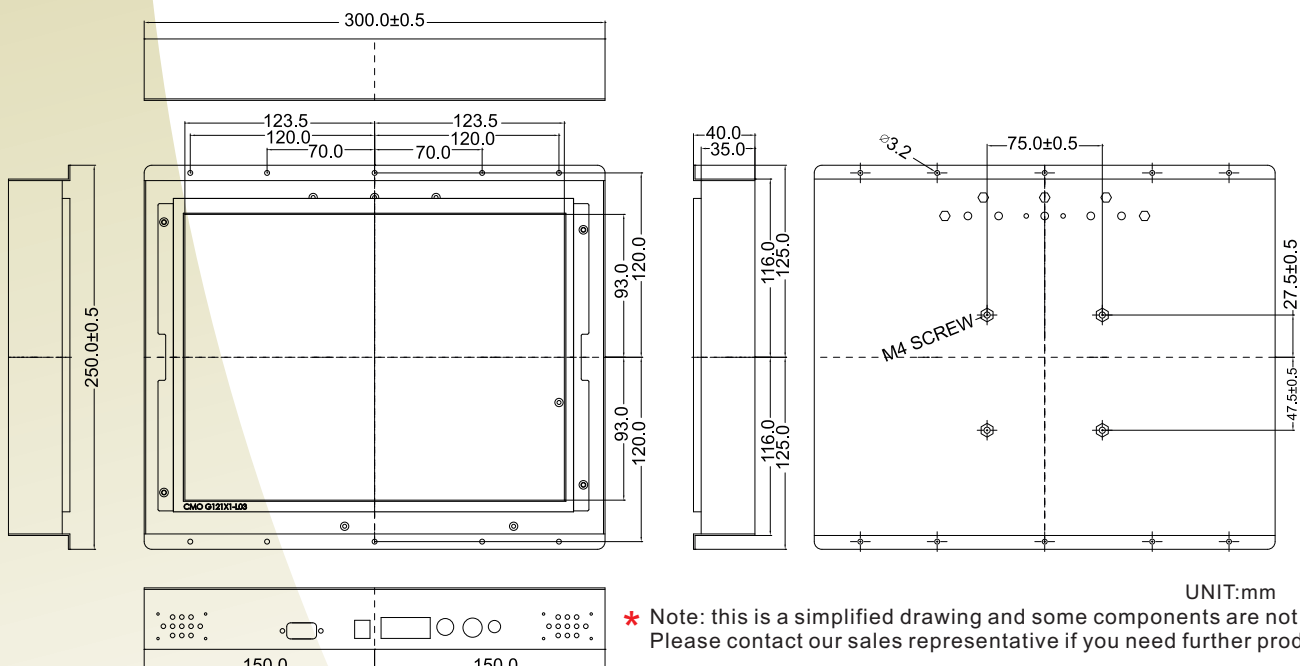
RoHS
COMPLIANT
2002/95/EC

Model Name	R12L600-OFM2
Viewable Size Image	12.1"
Active Display Area(mm)	245.76(H)x184.32(V)
Pixel Pitch(mm)	0.240(H)x0.240(V)(typ.)
Number of Pixels	1024x768
Contrast Ratio	700:1(typ.)
Display Color	262,144(6bit/colors)
Brightness(cd/m ²)	500(typ.)
Viewing Angle(CR>=10)	-80~80(H);-70~70(V)
Synchronization Range	
Horizontal/Vertical	31.5~60.0KHz/60~75Hz
Recommended Resolution	1024x768@60Hz, 75Hz
Signal Connector	15 pin D-Sub
Power Source	12V DC in, with External AC to DC Adapter (100~240V AC)
Power Consumption	20W typical, normal operation
Power Management	VESA DPMS Compliant
Plug & Play	VESA DDC 1/2B
Optional Video Input	S-Video, Composite
Optional DVI Input	No
Optional Touch Screen	Resistive, Capacitive, SAW,IR

Remarks:R12L600 series= VGA input only

R12L630 series= VGA+Video Input

Mechanical Drawing



Rev.	Reasons	Revised Date
1.3	Spec change	Nov-14-12
1.4	Pic change	Mar-12-13
1.5	Pic change	Jul-16-13