

Rugged Industrial PDA 4.3"

E430T-C

Product Features:

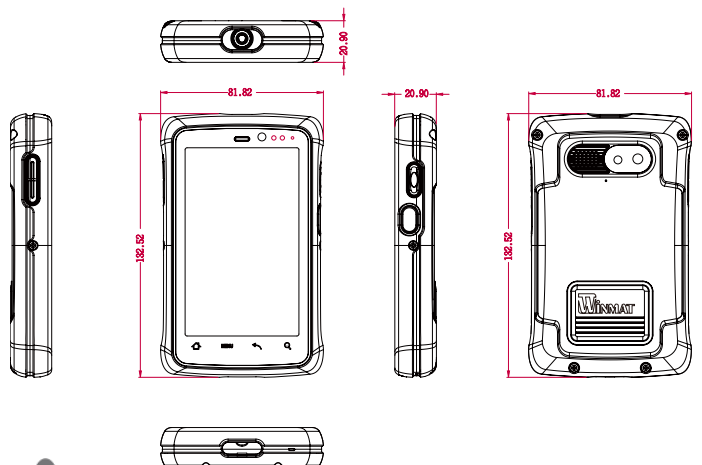
- Projective Capacitive Multi-touch.
- Built-in Wi-Fi/ Bluetooth/ GPS / Optional 3G Communication
- 5 Mega-pixel camera with LED at rear side
- Water and dust proof ID IP65 design
- Compliance with MIL-STD-810G for High/Low temperature, Vibration, Drop test
- Support Windows CE 6.0 operating system

Product Specifications:

System Specificatio	Processor	TI Cortex A8 OMAP DM3730 1GHz
	System Memory	512MB SDRAM
	Storage	512MB NAND flas
	Operating System	Windows CE 6.0
Display Specificatio	Size	4.3"
	Resolution	480 x 800
	Brightness	400(typ.)
	Touch	Projective Capacitive Multi-touch
Wireless Communication	WLAN	802.11 b/g/n
	Bluetooth	Bluetooth V2.1+EDR
	WWAN	GSM / GPRS / EDGE / WCDMA / HSDPA / HSUPA (optional ; for data Transmission)
	GPS	Built-in U-Blox GPS module
Mechanical and Environment	Dimensions (W x L x H)	132.2 x 82 x 21.5 mm
	Weight	220g
	Operation Temperature	-20 deg.C to 60 deg.C(AC Mode) -10 deg.C to 50 deg.C(Battery Mode)
	Operation Humidity	95% RH, non-condensing
	IP Proof	IP65
	Shock	Shock MIL-STD-810G M516.6
	Vibration	Vibration MIL-STD-810G M514.6
	Drop	MIL-STD-810G M516.6, 4 ft, Free to concrete
	Certification	CE, FCC,CCC,UL
I/O Connectors	External I/O	1 x Micro USB 1 x 3.5mm Audio jack for microphone and headset
	Internal I/O	1 x SIM card slot 1 x Micro SD card slot
	Internal Audio Device	1 x Microphone
		1 x Earphone
		1 x Speaker
	Dedicated keys	Control button
1 x Volume -		
1 x Power button		
1 x Function button		
		4 xCapacitive buttons:Home/ Menu/ ESC/ Search
	LED indicator	1 x LED indicator
Field Service Feature	Main Camera (Rear)	5 Mega-Pixel Camera with LED auxiliary light
	Light Sensor	Built-in
	Proximity (Light) Sensor	Built-in
Power	Battery	3.7V 2600mAh Li-poly rechargeable battery
	Battery Operating Time	9Hr *
	Adapter	5V 1A Adapter

*Note: Measured at dimming LCD brightness. Varies depending on the usage conditions, or when an external device is attached.

Drawing



Order Information:

Model Name	Configuratio
E430T-C	No 3G+ Win CE 6.0
E430T-3C	3G+ Win CE 6.0