

Full IP65 EAC BOX PC

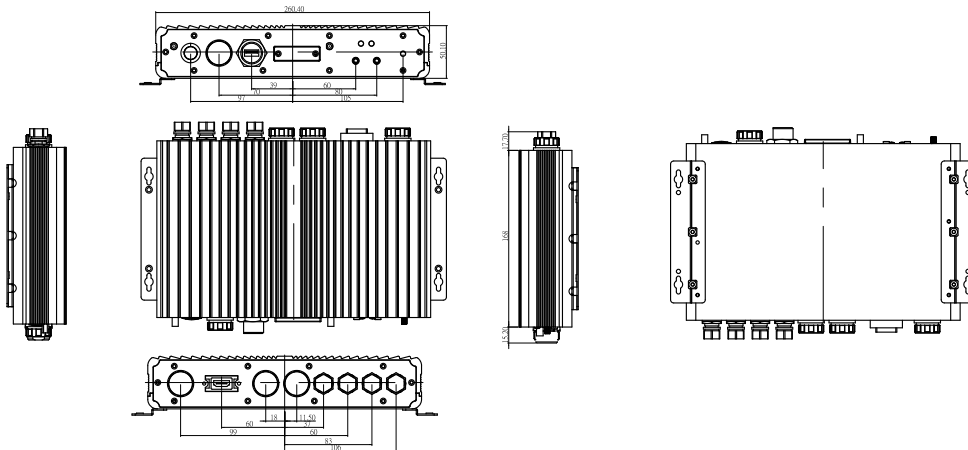
Full IP65 / NEMA4 BOX PC

F65EAC-ID31

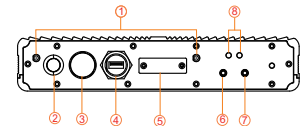


Features:

- Intel® Atom Dual-Core D2550 1.86GHz
- Intel® NM10 Express Chipset
- Aluminum Profile with Fin
- Ultra compact size with Fanless Design
- Support mSATA SSD and micro SD card
- One mini-PCIe socket expansion
- 9~36V DC with isolation

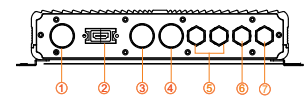


Front side



1. Antenna
 2. Power Button
 3. GPIO
 4. USB 2.0 TypeA-Female
 5. SIM/micro SD Card Socket
 6. Line-out
 7. Line-in
 8. LED Indicators (Power/HDD)
- * Antenna / GPIO / Line-out / Line-in (for Option)

Rear side



1. Power
2. HDMI(optional)
3. DVI (Default)
4. 2xUSB2.0
5. 2xLAN
6. 1xCOM
7. 1xCOM(optional)

* Note: this is a simplified drawing and some components are not marked in detail. Please contact our sales representative if you need further product information.

- * DVI or HDMI, either one
- * 1xCOM (RS232) for Option

System Specification

- Processor** : Intel® ATOM Dual-Core D2550 1.86GHz
- BIOS** : AMI 16Mbit Flash
- System Chipset** : Intel® NM10 Express Chipset
- System Memory** : 1 x SO-DIMM DDR3 800/1066 Max 4GB
- Ethernet Controller** : Dual Broadcom BCM57780 Ethernet
- Expansion Slot** : 1 x Mini PCIe slot (for 3G or WiFi module)
- Watchdog timer** : 256 Levels

I/O Connectors

- Front Side I/O** : 1 x Power Button
1 x USB2.0 TypeA-Female
1 x micro SD card socket
1 x SIM card socket
1 x 8 Channels GPIO (Optional)
1 x Line-in / Line-out (Optional)
- Back Side I/O** : 1 x Power Input (9~36V DC)
2 x USB2.0
1 x RS232
2 x LAN
1 x DVI or HDMI, either one
1 x RS232 (Optional)

Environment Considerations

- Operating Temperature** : 0 to 50 deg.C
-20 to 60 deg.C(By Request)
- Operating Humidity** : 5% to 95% (non condensing)
- Anti-Vibration** : 5Hz~500Hz / 1Grms/3 Axis
- Anti Shock** : 15G, 11ms duration

Ordering Information (Default)

- Storage** : 32GB mSATA SSD MLC (Default Option)
- Memory** : 2GB SO-DIMM DDR3 1600(Default Option)
- OS Support** : Windows 7/XP Embedded
- Power Input** : 9~36V DC with isolation
- Model** : F65EAC-ID31/DVI(Default)
F65EAC-ID31/HDMI

Mechanical and Power

- Dimensions (L x W x H)**: 260mm x 168mm x 50mm
- Construction** : Aluminum housing
- Power Input** : 9~36V DC with isolation
- Mounting** : Wall-mount / Desktop

Note: All Specifications are subject to change without prior notice!

| Rev. | Reasons | Revised Date |
|------|-------------|--------------|
| 1.5 | Spec change | Oct-24-13 |
| 1.6 | Spec change | Nov-22-13 |
| 1.7 | Spec change | Dec-12-13 |