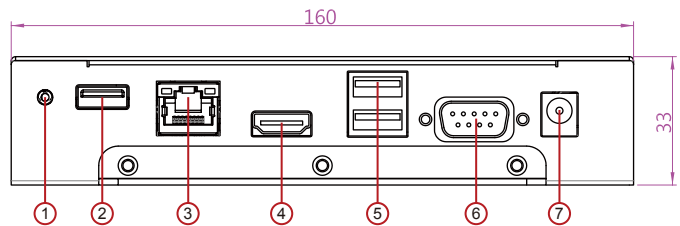
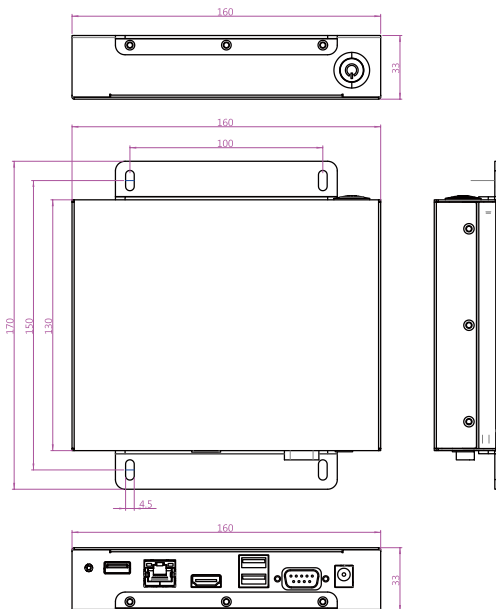




Feature

- Design for Industrial Automation, M2M application
- Onboard Intel Celeron Quad-Core N2930 1.83GHz
- 1 x DDR3L SODIMM slot, max. 8GB
- 1 x RS232/422 / 485 communication, switch by jump
- 1x Giga LAN, 1x USB 3.0, 2x USB 2.0, 1x HDMI, 1x Line out, 1x Power Jack
- Fanless, High efficiency thermal design w/ sealed construction



- | | |
|-------------|----------------------|
| 1. Line Out | 5. USB3.0 , USB2.0 |
| 2. USB2.0 | 6. RS232 / 422 / 485 |
| 3. LAN | 7. Power Jack |
| 4.HDMI | |

System Specification

Processor	: Intel® Celeron® Bay Trail-M N2930 1.83GHz
System Chipset	: Bay Trail SoC Chipset
System Memory	: 1 x DDR3L 1066MHz SO-DIMM, Max. 8GB
Ethernet Controller	: Intel® WG82574L GbE LAN
USB	: 1 x USB 3.0, 1 x USB 2.0 (external) 4 x USB 2.0 by pin-header (internal)
Storage	: Default 32GB mSATA SSD

I/O Connectors

Front Side I/O	: 1 x Power ON/OFF button with LED indicator
Back Side I/O	: 1 x Line Out 1 x RJ-45 (Giga LAN) 1 x RS232/422/485 (Switch by jump) 1 x HDMI 1 x USB3.0, 2 x USB2.0 1 x DC Power Jack

Mechanical and Power

Dimensions	: 170mm x 160mm x 33mm(L x W x H)
Construction	: Metal housing
Power Input	: 12V / 19V DC IN
Power source range	: Typical 20 W power consumption
Mounting	: 140 x 100 mm

Environment Considerations

Operating Temperature	: 0 to 50 deg.C
Operating Humidity	: 5% to 95% (non condensing)
Anti-Vibration	: 5Hz~500Hz / 1Grms/3 Axis
Anti Shock	: 15G, 11ms duration

Ordering Information (optional)

Storage	: 64 to 256GB mSATA SSD
---------	-------------------------

Rev.	Reasons	Revised Date
1.1	Spec Change	Jan-15-14
1.2	Spec Change	Mar-06-14
1.3	Revise the CPU spec	Jan-13-15

Note: All Specifications are subject to change without prior notice!

Revised Date:01/15/2014

www.primarynetworks.co.uk