

Product Features:

- 10.1" 1280x800 LED Panel with P-Cap Touch
- High performance ARM Cortex A7 Quad Core 1.5GHz
- Android 4.2
- IP65 water and dust proof
- Dual Camera Design: 8MP Main camera with LED flash / 2MP Webcam
- MIL-STD-810G Shock / Drop / Vibration
- With Optical Bonding for Sunlight Readability

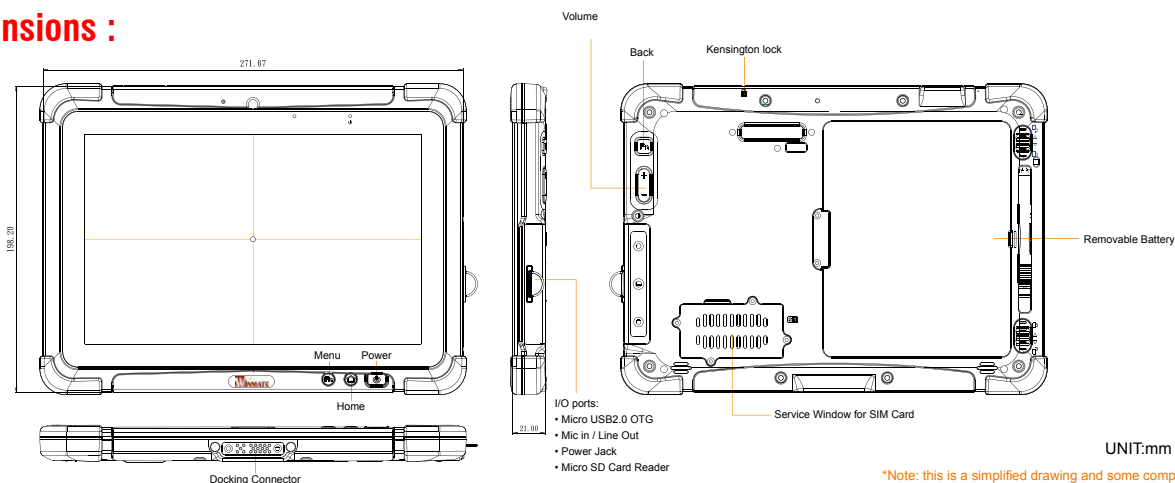


Product Specifications:



Size	10.1"	
Model Name	M101M4	
System Specification	Processor	ARM Cortex A7 Quad Core 1.5GHz
	System Memory	1GB
	Storage	16GB eMMC
Display Specification	Operating System	Android 4.2
	Size / Technology	10.1-inch
	Resolution	1280 x 800
	Brightness	300 nits With Optical Bonding for Sunlight Readability
	Touch	Multi-Touch Projective Capacitive
	Contrast Ratio	1300:1
Wireless Communication	Viewing Angle	89/89/89/89
	WLAN	802.11 a/b/g/n
	Bluetooth	Bluetooth 3.0
	GPS	Built-in
System I/O Buttons Indicators Sensors Security	WWAN	Built-in
	Audio	Built-in 1W Speaker x 2
	External I/O	1 x Micro USB 2.0 OTG, 1 x Audio Combo Conn. (Mic in or Line Out), 1 x Power Jack, 1 x Micro SD Card Reader
	Buttons	Power / Home / Back / Menu / Vol + / Vol -
	LED Indicators	x1 (Status)
	Sensors	Light Sensor / G- Sensor / Gyroscope / E-Compass
	Security	Kensington lock
Data Capture	Camera	Front: 2MP Camera with built-in microphone Rear: 8MP Auto-Focus Camera with LED Flash
Mechanical and Environment	Dimension (W x L x H)	271.67 x 198.20 x 21 mm
	Weight	990g
	Operating Temperature	-20°C to 60°C (AC mode), -10°C to 50°C (Battery mode)
	Storage Temperature	-20°C to 60°C (-4°F to 140°F)
	Humidity	30% to 90% RH, non-condensing
	IP Proof	IP65
	Shock	MIL-STD-810G Method 516.6 Procedure I
	Vibration	MIL-STD-810G Method 514.6 Procedure I
	Drop	MIL-STD-810G Method 516.6, 4 ft to concrete
	Certifications	CE, FCC
Power Management	Power Input	12V DC in
	Battery	7.4V 5140mAh Li-ion Battery (2S1P)
	Battery Operating Time	Std. Battery: 12 hours **
	Adapter	110-240 AC to 19V DC out Power Adapter

Dimensions :



*Note: this is a simplified drawing and some components are not marked in detail. Please contact our sales representative if you need further product information.
 **Note: Measured at dimming LCD brightness. Varies depending on the usage conditions, or when an external device is attached.