

Model:R10IB3S-VMT2

Product Features:

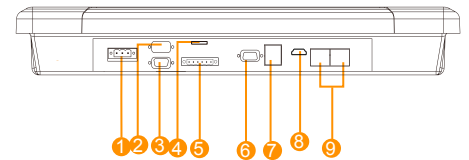
- Ultra Low Bay Trail N2930 1.83GHz Processor Fanless Design
- High Quality 10.4" Panel, 1024 x 768 resolution
- Full IP65 Dust / Water Proof Enclosures (Except I/O parts)
- Aluminum Housing with Anti-Corrosion Treatments
- Anti-Shock and Vibration Standard according to MIL-STD-810 & IEC60068-2-27
- 5 Wire Resistive / Infrared Touchscreen / Anti-Reflective Protection Glass (Optional)
- Optional GPS, 3G / WLAN(Either one). Digital IO / Canbus (Either one)
- Wide Range 9 to 36V DC Input Acceptable
- Optional 6-60V DC Input, and Optional for Ignition On/Off delay
- Compliance with EN50155

Product Specifications:

Display	Model Name	R10IB3S-VMT2	
	Size	10.4"	
	Resolution (pixels)	1024 x 768	
	Number of Colors	16.2M (6 bits+FRC)	
	Brightness (cd/m ²)	350 (typ.)	
	Contrast Ratio	1200 :1 (typ.)	
	Viewing Angle	-88~88 (H) ; -88~88 (V)	
	Active Area	201.4 (H) x 157.8 (V)	
System	Touch (optional)	5 Wire Resistive / IR Touch	
	Processor	Intel®Bay Trail N2930 1.83Ghz Processor	
	Chipset	Bay Trail SoC Chipset	
	BIOS	AMI 16Mbit Flash	
	Memory	1xDDR3L 1066 / 1333 MHz SO-DIMM Max. 8GB	
	Ethernet	Intel®WG82574L GbE LAN	
	Storage	mSATA SSD	
	Expansion Slot	1 x Mini PCIe slot (for wireless module) 1 x Mini PCIe slot (for SATA SSD)	
Input / Output	Back Panel I/O Port	2 x RJ-45 (10/100/1000 Mbps) 1 x HDMI 1 x DC-in Jack (Phoenix type) 1 x USB 3.0, 1 x USB 2.0 1 x RS232/422/485, 1 x RS232 WLAN antenna SMA in top (Optional)	
	Environment	Operating Temperature	-25 deg.C to 55 deg.C
		Storage Temperature	-30 deg C to 70 deg C
		Humidity	10% to 95% (non condensing)
		Shock*	Operating:30g for 18ms, 300m/s ²
Mechanical	Vibration*	Operating: 1.60/1.96/2.18 g rms for XYZ / 5-500Hz	
	Power Input	9~36V DC in (Phoenix type) Optional 6-60V DC in, with Ignition On/Off delay	
	Power Consumption	32W typ.	
Driver OS Support	Dimensions (W x L x H)	315 mm x 250 mm x 67 mm	
	Approximate Weight	3.3Kg*	
Packing List	*Weight of this device will be more or less depending upon actual component configuration		
Product Optional Items	Windows Embedded Standard 7 / Windows Embedded Standard 8* / Windows 10 IoT Enterprise		
		*For Windows Embedded 8, this panel pc supports the Metro UI, but does not support Snap View	
	Mounting Bracket and Kits	One robust bracket with locking handle (Can adjust from -5 deg.C to 90 deg.C)	
	Sunlight Readable	Transflective film enhancement for optional	
	Anti-reflective Glass	3 mm (Replace touch)	
Security Support	WLAN / 3G	Either one	
	GPS	USB interface	
	Digital IO / Canbus	Either one	
Security Support	Trusted Platform Module (TPM 1.2)		

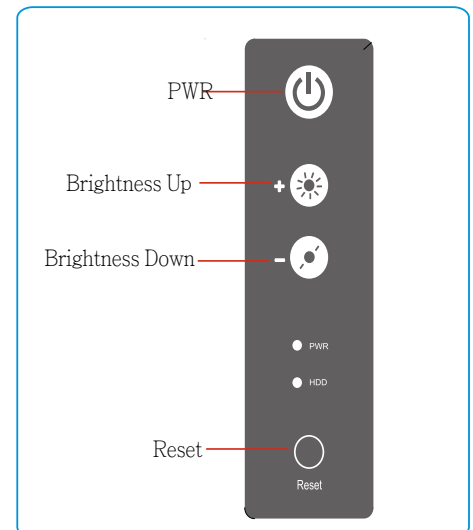


I / O View:

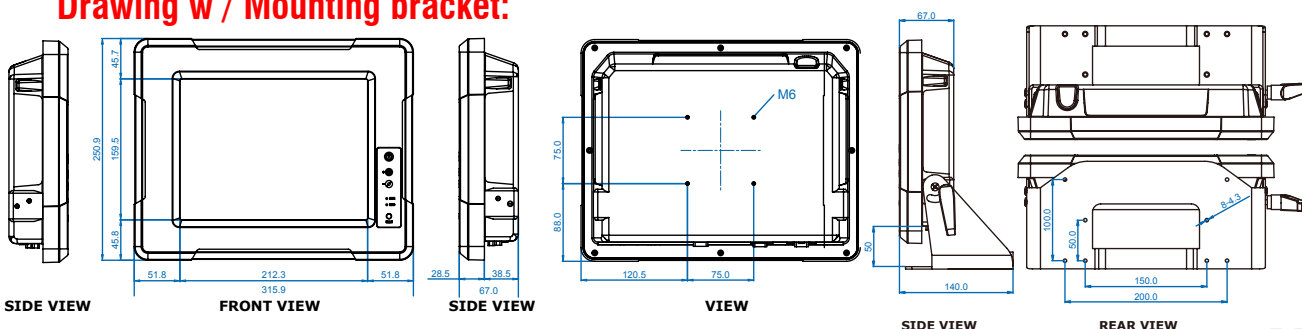


1. 9~36V Terminal Block
2. RS-232 (Optional)
3. RS-232
4. SIM Card Slot (Optional)
5. CanBus / DIO (Optional)
6. RS232/422/485
7. 1xUSB 3.0, 1xUSB 2.0
8. HDMI
9. 2xRJ45

Front OSD Control Function:



Drawing w / Mounting bracket:



Release Date
Nov.11.2015