

Model:R10ID3S-VIP1

Product Features:

- Intel® Atom D2550 1.86 GHz Processor
- High Quality 10.4" Panel, 800 x 600 resolution
- 10 user-defined function keys on the bezel
- Ignition on/off delay for vehicle
- Software to control ignition on/off delay for windows system
- Wide range input voltage 6-60 Volt
- Wide range operating temperature (-25 to 55 deg.)
- Optional GPS, 3G / WLAN(Either one). Digital IO / Canbus (Either one)
- Compliance with EN50155

Product Specifications:

Display	Model Name	R10ID3S-VIP1
	Size	10.4"
	Resolution (pixels)	800 x 600
	Number of Colors	16.2M (6 bits+FRC)
	Brightness (cd/m ²)	400 (typ.)
	Contrast Ratio	400 :1 (typ.)
	Viewing Angle	-70~70 (H) ; -70~60 (V)
	Active Area	201.4 (H) x 157.8 (V)
System	Processor	Intel® Atom™ Processor D2550 1.86GHz
	Chipset	Intel® NM10
	BIOS	AMI 16Mbit Flash
	Memory	1 x DDR3 800/1066 MHz SO-DIMM default 2 GB Max. 4GB
	Ethernet	Dual Broadcom BCM57780 GbE
	Storage	32GB mSATA SSD (up to 128 GB)
	Expansion Slot	1 x Mini PCIe slot (for wireless module) 1 x Mini PCIe slot (for SATA SSD)
	Ignition On/Off delay	Allowing Panel Computer running for about 1 to 120 seconds(using customized software)
Input / Output	Back Panel I/O Port	2 x RJ-45 (10/100/1000 Mbps)
		1 x VGA(DB-15)
		1 x DC-in Jack (Phoenix type)
		2 x USB 2.0
		1 x RS232/422/485, 1 x RS232 WLAN antenna SMA in top (Optional)
OSD	Function Key	F1~F10 Function Keys, 10 programmable physical button
	Operating Temperature	-25 deg C to 55 deg C
	Storage Temperature	-30 deg C to 70 deg C
	Humidity	10% to 95% (non condensing)
	Shock*	Operating:30g for 18ms, 300m/s ²
	Vibration*	Operating: 1.60/1.96/2.18 g rms for XYZ / 5-500Hz
Mechanical	Power Input	6~60V DC in (Phoenix type)
	Power Consumption	25W typ.
	Dimensions (W x L x H)	315 mm x 250 mm x 67 mm
Product Optional Items	Approximate Weight	3.3 kg*
	*Weight of this device will be more or less depending upon actual component configuration	
Driver OS Support	Windows 7 embedded / Windows XP embedded	
Certifications	CE/FCC ClassB, MIL810F / IEC60068-2-27 for Vibration / Shock	
Packing List	G-Win ID32 User's Manual (ID32) SBC Manual & Driver CD	
Product Optional Items	Mounting Bracket and Kits	One robust bracket with locking handle (Can adjust from -5 deg to 90 deg)
	Sunlight Readable	Transflective film enhancement for optional
	Anti-reflective Glass	3 mm (Replace touch)
	WLAN / 3G	Either one
	GPS	USB interface
	Digital IO / Canbus	Either one



Fanless



Wide Temp



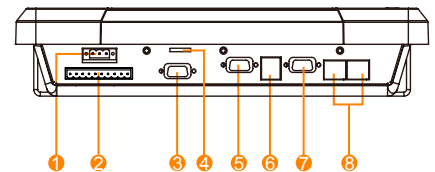
ENERGY STAR



Intel Atom



I / O View:



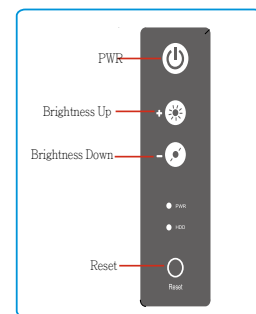
- | | |
|------------------------------|---------|
| 1. DC in 6~60V with ignition | 5. VGA |
| 2. CanBus / DIO (Optional) | 6. USB |
| 3. COM4 | 7. COM1 |
| 4. 3G SIM Card (Optional) | 8. LAN |



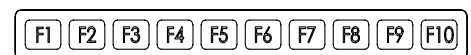
1 2 3

Pin No.	Symbol	Description
1	VIN+	6~60V
2	VIN-	GND
3	Ignition	Ignition

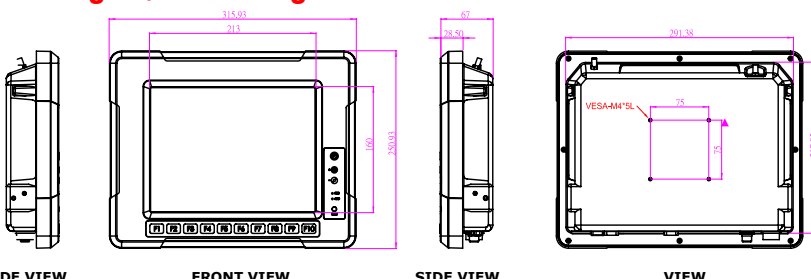
Front OSD Control Function:



10-programmable Fn Keys:



Drawing w / Mounting bracket:

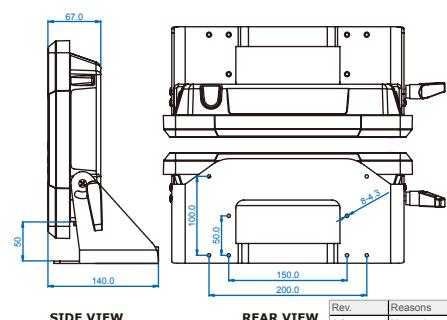


SIDE VIEW

FRONT VIEW

SIDE VIEW

VIEW



SIDE VIEW

REAR VIEW

Rev.	Reasons	Revised Date
1.0	New release	Feb.02.15
1.1	Change model name	Jul.07.15
1.2	Spec change	Jul.23.15