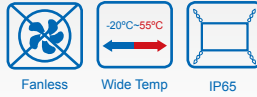


Model:R10L600-VMP1

Product Features:

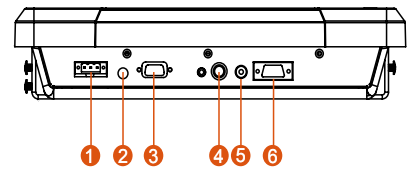
- High Quality 10.4" SVGA Panel, 800x600 resolution
- 5 Wire resistive touch screen / IR Touch
- -20 ~ +55°C Wide Range Operating Temperature
- Anti-Corrosion housing with Fanless Design
- IP65 Dust & Waterproof Protection (Except I/O ports)
- 9V ~ 36V DC Isolation Wide Range Power Input
- Compliance With EN50155



Product Specifications:

Display	Pixel Number	800 x 600
	Pixel Pitch (mm)	0.264 (H) x 0.264 (V) mm
	Contrast Ratio	500 : 1(typ.)
	Brightness	400 cd/m2 (typ.)
	Viewable Angle(CR>=10)	-70~70 (H);-55~65 (V)
	Active Display Area	211.2(H) x 158.4(V) mm
	Max Colors	16.2M / 262k (8/6bits)
Input /Output	Touch (Optional)	5 Wire Resistive / IT Touch
	1 x 9~36V DC Terminal Block (Default)	
	1 x DC Lockable Input (Optional)	
	1 x RS-232 for Touch (Optional)	
	1 x S-Video (Optional)	
Environment	Operating Temperature	-20 ~ 55°C
	Storage Temperature	-30 ~ 70°C
	Humidity	10 ~ 95% non-condensing
	Shock	Compliance with MIL810F/EN50155
	Vibration	Compliance with MIL810F/EN50155
	EMC	CE, FCC ClassB
	Safety	Compliance with EN50155, MIL-STD 810F
Mechanical	Dimension(W x H x D)	315.9 x 250.9 x 67mm
Packing List	R5W AD Board User's Manual Touch's Driver CD	
Product Optional Items	Mounting Bracket and Kits	One robust bracket with locking handle (can adjust from -5deg. to 90deg.)
	Video Input	Composite Video, S-Video for optional
	Anti-reflective Glass	3 mm (Replace touch)

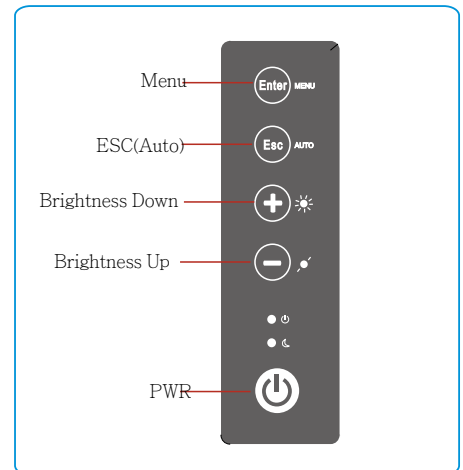
I / O View:



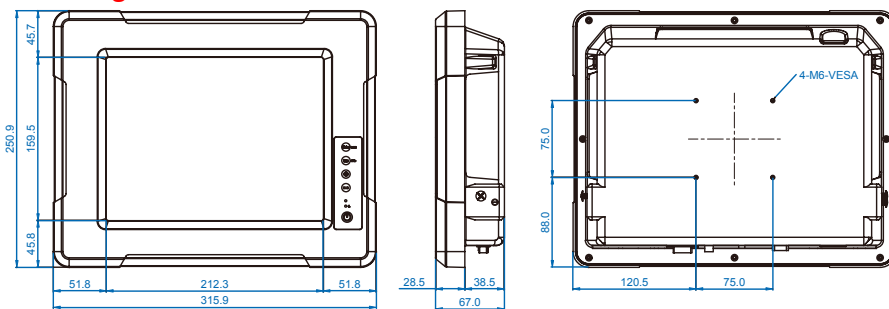
BOTTOM VIEW

1. 9~36V DC Terminal Block (Default)
2. DC Lockable Input (Optional)
3. RS-232 for Touch (Optional)
4. S-Video (Optional)
5. Composite (Optional)
6. VGA

Front OSD Control Function:



Drawing:

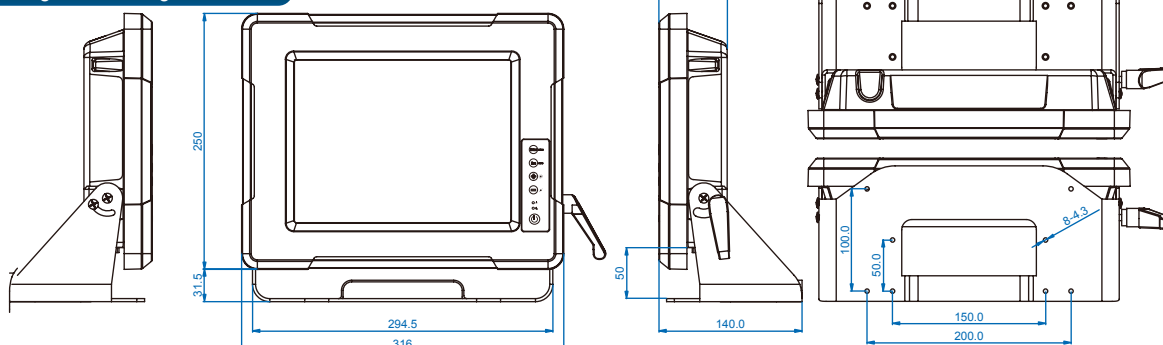


FRONT VIEW

SIDE VIEW

VIEW

Drawing w / Mounting Bracket



FRONT VIEW

SIDE VIEW

REAR VIEW

Rev.	Reasons	Revised Date
1.4	Spec change	Oct. 30. 12
1.5	Plc change	Apr. 18. 13
1.6	Change picture	Jun. 05. 13