

Model:R15ID3S-67A3(HB)

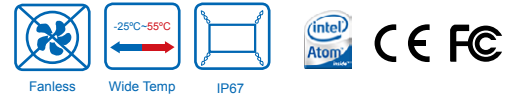
Product Features:

- » Ultra Low Power Intel ATOM D2550 1.86GHz CPU Fanless Design
- » High Quality 15" Panel, 1024 x 768 resolution, 400 nits (Optional for 1000 nits)
- » IP67 Dust/ Water proof design with VESA mount
- » Aluminum Die-Casting Housing with Anti-Corrosion Treatments
- » Build in ambient Light sensor
- » Wide Range 9 to 36V DC Input
- » Optional 6-60V DC Input, and Optional for Ignition On/Off delay
- » 5 Wire Resistive Touch / Anti-Reflective Protection Glass (Optional)
- » Optional HB/Sunlight Readable up to 1000 nits

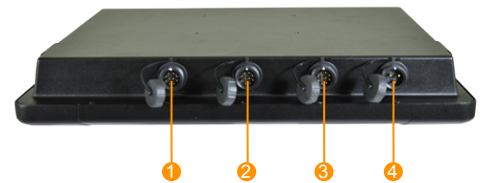


Product Specifications:

Display	Model Name	R15ID3S-67A3(HB)
	Size	15"
	Resolution (pixels)	1024 x 768
	Number of Colors	16.2M (8 bit) / 262K (6 bit)
	Brightness (cd/m ²)	400nits for R15ID3S-67A3 Optional 1000nits for R15ID3S-67A3HB (High Brightness)
	Contrast Ratio	700:1
	Viewing Angle	-80~80 (H) ; -70~70 (V)
	Active Area	304.1 (H) x 228.1 (V)
System	Touch (optional)	5 Wire Resistive
	Processor	Intel [®] Atom D2550 1.86GHz Processor
	Chipset	NM10 Chipset
	BIOS	AMI 16Mbit Flash
	Memory	1 x SODIMM, Max 4GB DDR3 800/1066
	Ethernet	Broadcom BCM57780 GigaLAN
Storage		mSATA SSD or 2.5" HDD
	Input / Output	1 x LAN 2 x USB 1 x RS-232 1 x 9 ~36v DC-IN
Environment	Operating Temperature	-25 ~55°C
	Storage Temperature	-30 ~70°C
	Humidity	10 ~ 95% non-condensing
	Shock	Compliance with MIL810F/EN50155
	Vibration	Compliance with MIL810F/EN50155
	Power Input	9~36V DC in (Phoenix type) Optional 6-60V DC in, with Ignition On/Off delay
Driver OS Support	Windows 7 Embedded	Windows XP Embedded
Mechanical	Dimension(W x H x D)	398 x 308 x 58mm
	Approximate Weight	4.9 kg*
Packing List	ID32 Atom SBC User's Manual (ID32) SBC Manual & Driver CD	
Product Optional Items	Mounting bracket	One robust bracket with locking handle (Can adjust from -5 deg. to 90 deg.)

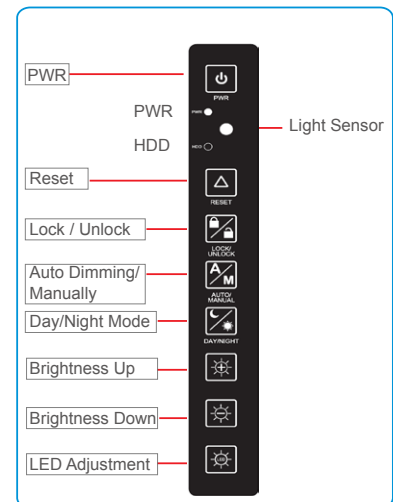


I / O View:

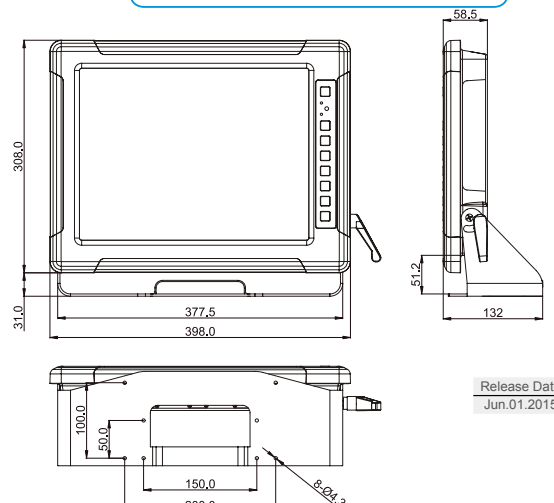
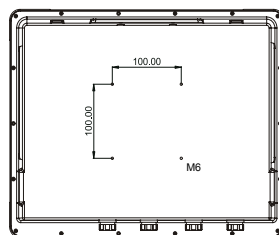
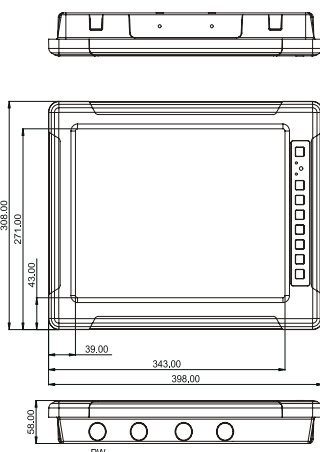


1. LAN
2. USB
3. RS-232
4. 9 ~ 36V DC-in

Front OSD Control Function:



Drawing w / Mounting bracket:



Release Date
Jun.01.2015