

Rugged Handheld Device 4.3"

S430M4

Product Features:

- OS support Android 4.2
- High brightness 480 x 800 LED display
- Projected Capacitive Touch
- 8 megapixel digital camera with LED auxiliary backlight
- Embedded with Micro SD card slot
- Designed for IP67 Dust & Water Protection
- Compliant with MIL-STD 810G Standard
- Support 1D / 2D Barcode reader and RFID reader at the same time (Optional)
- With 3G Module

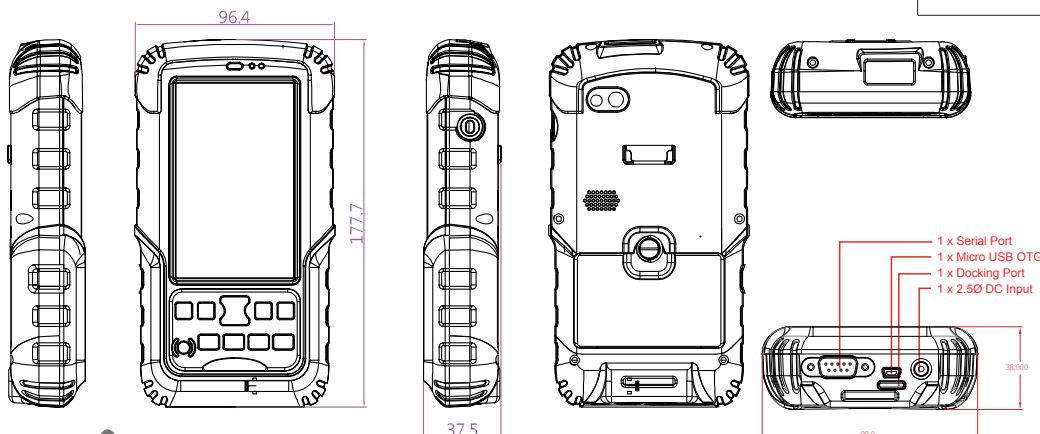


Product Specifications:

System Specification	Processor	ARM® Cortex™-A7 Quad Core 1.5Ghz
	System Memory	1GB SDRAM
	Storage	16GB eMMC
	Operating System	Android 4.2
Display Specification	Size	4.3"
	Resolution	480 x 800
	Brightness	400 nits
	Touch	Projective Capacitive Touch
Wireless Communication	WLAN	802.11 a/b/g/n
	Bluetooth	Bluetooth 3.0
	GPS	Built-in GPS module
	WWAN	3G (For Data Transmission)
System I/O Buttons Indicators Sensors	Audio	1 x Built-in Mic, 1 x Earphone, 1 x Audio Jack, 1 x Speaker
	External I/O	1 x SIM card slot, 1 x Micro SD card slot, 1 x Mini USB, 1 x Serial port, 1 x Dock Port, 1 x DC Input
	Keypad	Android 10 Key
	LED	1 x LED indicator
	Sensors	Light Sensor, Proximity Sensor, G-sensor, Digital Compass
Data Capture	Camera	8 MP Camera with LED auxiliary light (Auto Focus) at rear
	Data Capture	Motorola SE4500 1D/2D Barcode (Optional) HF RFID (Optional)
Mechanical and Environment	Dimension (W x L x H)	178 x 89 x 30mm
	Weight	470g
	Operating Temperature	-20°C to 60°C (AC mode), -10°C to 50°C (Battery mode)
	IP Proof	IP67
	Shock	MIL-STD-810G Method 516.6 Procedure I
	Vibration	MIL-STD-810G Method 514.6 Procedure I
	Drop	MIL-STD-810G Method 516.6, 4 ft, Free to concrete
Power Management	Certifications	CE, FCC, CCC
	Battery	3.7V 5000mAh Li-Ion smart battery
	Battery Operating Time	25 hours *
	Adapter	5V 3A 15W Adapter

* Note: Measured at dimming LCD brightness. Varies depending on the usage conditions, or when an external device is attached.

Dimensions :



Order Information

Model Name	Configuration
S430M4	Android OS + 3G
S430M4-3BM	Android OS + 3G + 1D/2D Barcode
S430M4-3HF	Android OS + 3G + HF RFID
S430M4-3HM	Android OS + 3G + 1D/2D Barcode + RFID