

# Rugged Handheld Device 4.3"

# S430T2-NKC

## Product Features:

- OS support Windows Embedded Compact 6.0
- High brightness 480 x 800 LED display
- Resistive Touch
- 5 megapixel digital camera with LED auxiliary backlight
- Embedded with Micro SD card slot
- Designed for IP67 Dust & Water Protection
- Compliant with MIL-STD 810G Standard
- Optional 3G Module
- Optional built-in 1D / 2D Barcode reader
- Optional built-in HF or LF RFID reader
- Both of Barcode Reader and RFID can be built-in together

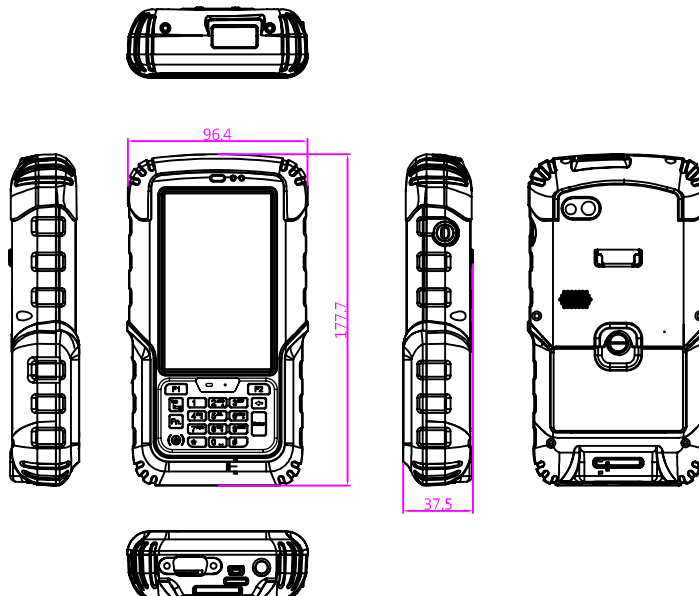


## Product Specifications:

System Specification	Processor	TI Cortex A8 1GHz
	System Memory	512MB MDDR
	Storage	4GB eMMC
	Operating System	Windows Embedded Compact 6.0
Display Specification	Size	4.3"
	Resolution	480 x 800
	Brightness	420nit
	Touch	Resistive Touch
Wireless Communication	WLAN	802.11 /b/g/n
	Bluetooth	Bluetooth 2.1 + EDR
	GPS	Built-in GPS module
	WWAN(Optional)	Optional 3G (For Data Transmission)
System I/O Buttons Indicators Sensors	Audio	1 x Built-in Mic, 1 x Earphone, 1 x Audio Jack, 1 x Speaker
	External I/O	1 x SIM card slot, 1 x Micro SD card slot, 1 x Mini USB, 1 x Serial port, 1 x Dock Port, 1 x DC Input
	Keypad	Alphanumeric 19 key
	LED	1 x LED indicator
	Sensors	Light Sensor, Proximity Sensor, G-sensor, Digital Compass
Data Capture	Camera	5 MP Camera with LED auxiliary light (Auto Focus) at rear
	Data Capture	Motorola SE4500 1D/2D Barcode (Optional) HF RFID (Optional)
Mechanical and Environment	Dimension (W x L x H)	178 x 89 x 30mm
	Weight	470g
	Operating Temperature	-20 deg.C to 60 deg.C(AC Mode), -10 deg.C to 50 deg.C(Battery Mode)
	IP Proof	IP67
	Shock	MIL-STD-810G Method 516.6 Procedure I
	Vibration	MIL-STD-810G Method 514.6 Procedure I
	Drop	MIL-STD-810G Method 516.6, 4 ft, Free to concrete
Certifications	CE, FCC, CCC	
Power Management	Battery	3.7V 5000mAh Li-Ion smart battery
	Battery Operating Time	14 hr *
	Adapter	5V 3A Adapter

\*Note: Measured at dimming LCD brightness. Varies depending on the usage conditions, or when an external device is attached.

## Dimensions :



## Order Information

Model Name	Configuration
S430T2-NKC	CE 6.0 OS
S430T2-NKBMC	CE 6.0 OS + 1D/2D Barcode
S430T2-NKHFC	CE 6.0 OS + HF RFID
S430T2-NKHMC	CE 6.0 OS + 1D/2D Barcode + RFID

Release Date  
Oct.05.2015