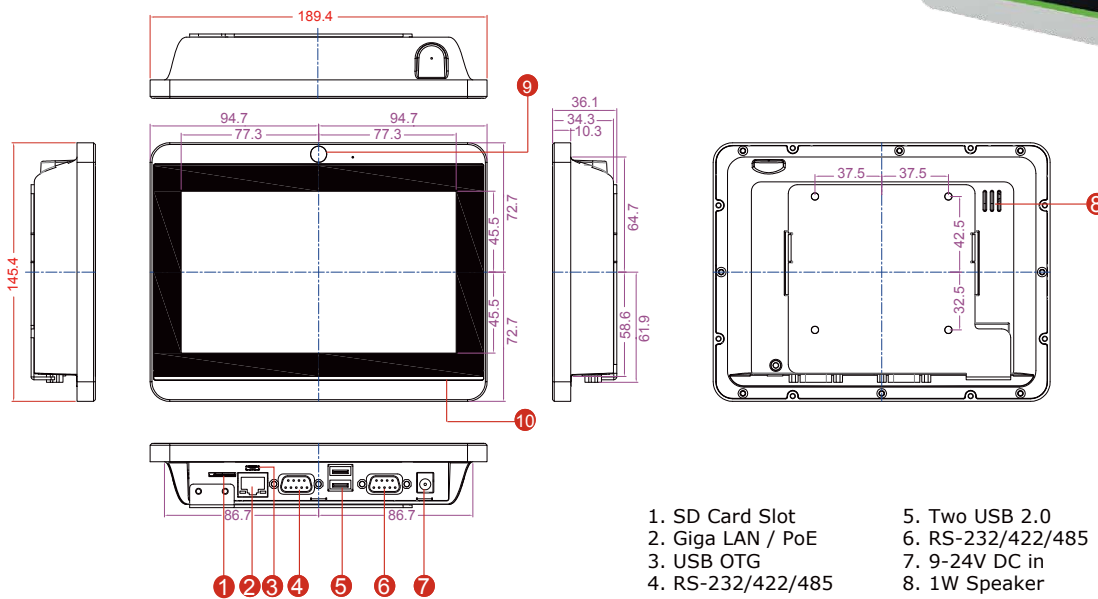


7" S-Series HMI - W07FA3S-PCM1AC-PoE

Features

- 7" 1024 x 600 Resolution with P-Cap Multi-touch screen
- 1024x600 resolution
- P-Cap multi-touch screen
- Fanless cooling system and ultra-low power consumption
- Support PoE
- Two USB 2.0, two RS-232 (optional 422/485), one micro SD slot
- 2MP front camera (optional)
- Built-in RGB LED light bar indicator
- Stylish design for room booking, access control and room information applications



1. SD Card Slot
2. Giga LAN / PoE
3. USB OTG
4. RS-232/422/485
5. Two USB 2.0
6. RS-232/422/485
7. 9-24V DC in
8. 1W Speaker
9. 2MP Camera (optional)
10. RGB LED Light Bar

Specifications

System

- Processor : Freescale Cortex A9 i.MX6 Dual Core 1GHz (optional Quad Core)
- System Chipset : Freescale i.MX6
- System Memory : 1GB LPDDR3 (optional 2GB LPDDR3)
- Storage : 16 GB eMMC (default), mSATA/ Micro SD card
- LAN : Dual Broadcom BCM57780 GbE Controller
- Operating System : Android 4.4 (default), Linux Kernel 3.0.35, QT 5.4 Browser (optional)

Display

- Size/Type : 7" TFT (widescreen)
- Resolution : 1024 x 600
- Brightness : 500 cd/m (typ.)
- Contrast Ratio : 700:1 (typ.)
- Viewing Angle : -75~75(H); -70~75(V)
- Max Colors : 262K(6bit)
- Touch : Projected capacitive (up to 4points)

Input / Output

- Serial Ports : 2 x RS-232 (optional 422/485)
- USB Ports : 1 x USB 2.0 host, 1 x USB OTG
- SD Card Slot : 1 x Micro SD Card Slot
- Ethernet : 1 x RJ 45-10/100/1000 Mbps
- LAN support PoE function
- Speaker : 1 x 1 watt speaker
- Indicator : Built-in RGB LED light bar

Mechanical Specification

- Cooling System : Fanless design
- Mounting : VESA Mount (75x75mm)
- Dimensions (W x H x D) : 189.4 x 145.4 x 36.1 (mm)

Environment

- Operating Temperature : 0 °C to 50 °C
- Operating Humidity : 10% to 90% (non-condensing)
- IP Rating : Front: IP65 water and dust proof
Full: IP22

Power Considerations

- Power Input : 9-24V DC in
- Power Over Ethernet : Support IEEE 802.3at (25W)

Software Support

- Programming Guide : Android
Linux