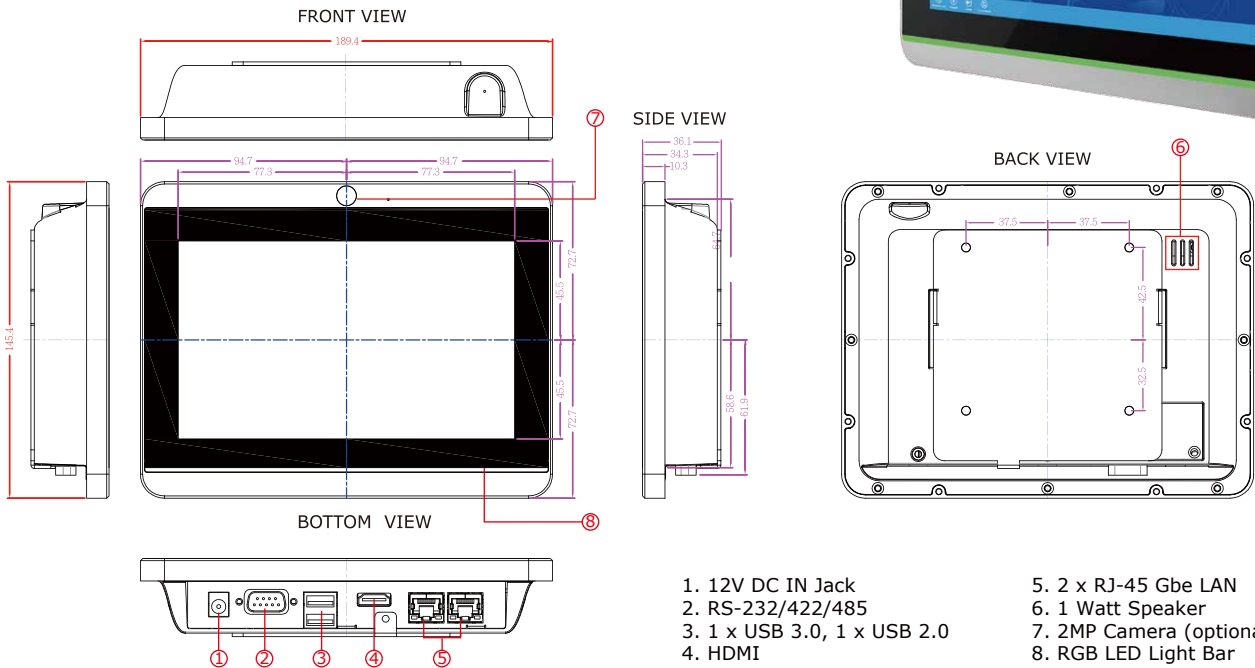


7" S-Series HMI - W07IB3S-PCM1AC

Mechanical Design

- 1024x600 resolution
- P-Cap multi-touch screen
- Fanless cooling system and ultra-low power consumption
- Dual Gigabit Ethernet
- RGB LED light bar
- Front IP65 and full IP22 ratings
- 2MP front camera (optional)
- Stylish design for room booking, access control and room information applications



Specifications

System

- Processor : Intel® Celeron® Bay Trail-M N2930 1.83GHz
- System Chipset : Intel® ATOM SoC Integrated
- System Memory : 2GB DDR3L 1066/1333 SO-DIMM (optional 4 GB)
- Storage : 64GB mSATA SSD
- LAN : Dual Intel® WG82574L GbE LAN
- Security : Trusted platform module (TPM 1.2)

Display

- Size/Type : 7" TFT (widescreen)
- Resolution : 1024 x 600
- Brightness : 500 cd/m (typ.)
- Contrast Ratio : 700:1 (typ.)
- Viewing Angle : -75~75 (H); -70~75(V)
- Max Colors : 262K(6bit)
- Touch : Projected capacitive

Input / Output

- Serial Ports : 1 x RS-232/422/485
- USB Ports : 1 x USB 3.0, 1 x USB 2.0
- Ethernet : 2 x RJ 45-10/100/1000 Mbps
- HDMI : 1 x HDMI
- Speaker : 1 x 1 watt speaker
- Indicator : Built-in RGB LED light bar

Mechanical Specification

- Cooling System : Fanless design
- Mounting : VESA Mount (75x75mm)
- Dimensions (W x H x D) : 189.4 x 145.4 x 37.7 (mm)

Environment

- Operating Temperature : 0 °C to 50 °C
- Operating Humidity : 10% to 90% (non-condensing)
- IP Rating : Front: IP65 water and dust proof
Full: IP22

Power Considerations

- Power Input : 12V DC INjack
- Power Consumption : 35W

Software Support

- Watchdog SDK
- LED light bar porting guide

Operating System

- Windows 10 IoT
 - Windows Embedded 8.1 Industry Pro
 - Windows Embedded 8 Standard
 - Windows Embedded Standard 7 – WS7P
- *Windows 8 and above requires 1024 x 768 resolution to operate Metro UI

Note: All Specifications are subject to change without prior notice!