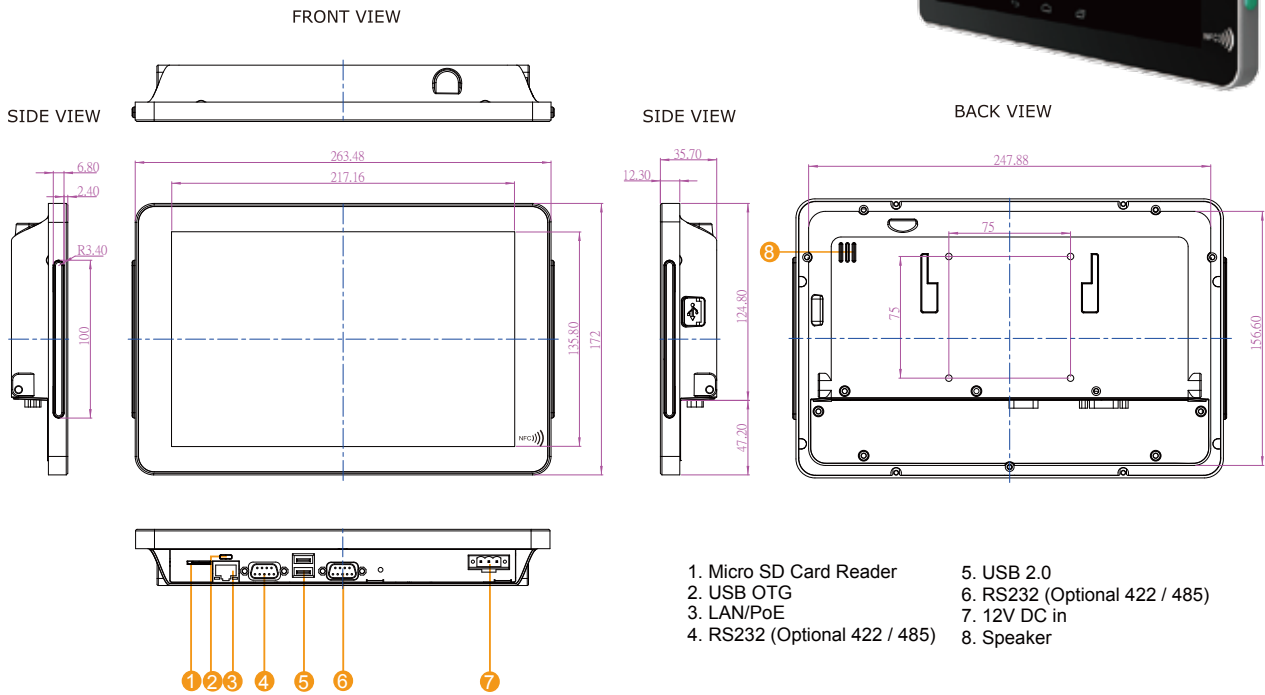


10.1" S-Series HMI - W10FA3S-PCH2AC-PoE

Features www.primarynetworks.co.uk

- 10.1" 1280 x 800 Resolution with P-Cap Multi-touch screen
- Freescale Cortex A9 i.MX6 Dual Core 1GHz (Optional for Quad Core)
- Fanless cooling system and Ultra-low power consumption
- 2 x USB; 2 x RS232(optional 422/485); 1 x Micro SD Slot
- Room Booking Schedule, Access Control. Room Information Display
- Front IP65 Water and Dust Proof
- Red/Green/Blue/Orange LED Light Bar Indicators on 2 Sides
- Optional NFC Reader



Specifications

System :

• Processor	: Freescale Cortex A9 i.MX6 Dual Core 1GHz (Optional for Quad Core)
• System Memory	: 1GB LPDDR3 (Optional 2GB LPDDR3)
• Storage	: Onboard 16GB eMMC(default)/mSATA/Micro SD card
• LAN	: Dual Broadcom BCM57780 GbE Controller

Input / Output :

• COM port	: 2 x RS232 (Optional 422 / 485)
• USB Ports	: 2 x USB 2.0 host / 1 x USB OTG
• SD Slot	: 1 x Micro SD Card Slot
• Ethernet	: 1 x RJ45,10/100/1000 LAN Support PoE function
• Speaker	: 1 x 1 Watt Speaker

Display Spec :

• Size/Type	: 10.1" TFT (Wide screen)
• Resolutions	: 1280x800
• Brightness	: 300cd/m (typ.)
• Contrast Ratio	: 800 : 1 (typ.)
• Viewing Angle	: -89~89(H);-89~89(V)
• Max Colors	: 262K(6bit)
• Touch	: Projective-Capacitive Touch

Power Specifications :

• Power Input	: 12V DC in Support IEEE 802.3at PoE
---------------	---

Mechanical Specification :

• Cooling System	: Fanless design
• Mounting	: VESA Mount(75x75mm)
• Dimension (W x H x D)	: 263.28 x 171 x 35.7 (mm)

Environment Considerations :

• Operating Temperature	: 0 deg.C to 50deg.C
• Operating Humidity	: 10% to 90% (non condensing)

OS/BSP Driver Support :

• Operation System	: Android 4.4 (Default) : Linux 3.0.35 QT 5.4 (Optional)
--------------------	---

NFC function (Optional):

• Contactless protocols	: Peer-to-peer, Full ISO 18092(up to 424 Kbits/s) Reader/writer, ISO 14443-A-B, MIFARE, FeliCa® NFC Forum tags, ISO 15693
-------------------------	---

NFC Tag Support

Support Card Type (13.56 MHz)	
NFC Forum Platform	Type 1, Type 2, Type 3, Type 4
ISO 15693	TI HF-I Plus, TI HF-I Pro, NXP-I-Code SLI
ISO 14443-A	NXP Mifare_One(S50_4byte), NXP Mifare_One(S50_7byte), NXP Mifare_One(S70_4byte), NXP Mifare_UltraLight, NXP Mifare_UltraLight C, NXP Mifare_DesFire_EV1
ISO 14443-B	Infineon JTOP
ISO 18092(R/W)	SONY Felica Lite s, SONY Felica Lite

