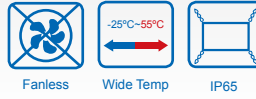


Model:W12ID3S-VMM9

Product Features:

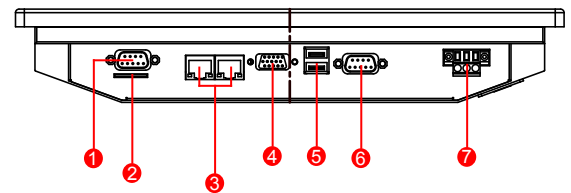
- Ultra Low Power Atom D2550 1.86GHz Dual-core Processor
- 4 Wire resistive touch screen
- -25~+55°C Wide Range Operating Temperature
- Anti-Corrosion housing with Fanless Design
- 9V~36V DC Isolation Wide Range Power (default)
- Optional 6-60V DC Input, and Optional for Ignition On/Off delay
- Anti-Shock & Vibration compliant with MIL-STD-810F
- Compliant with EN50155



Product Specifications:

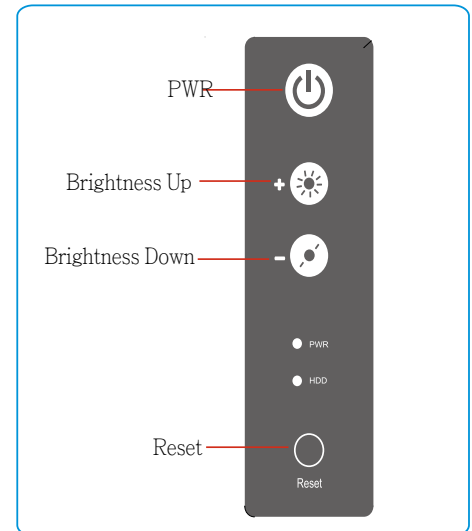
Display	Model Name	W12ID3S-VMM9
	Size	12.1"
	Resolution (pixels)	1280 x 800
	Number of Colors	262,144 (6bits/color)
	Brightness (cd/m2)	400
	Contrast Ratio	1000 :1
	Viewing Angle	-88~88 (H) ; -88~88 (V)
	Active Area	261.12 (H) x 163.2 (V)
System	Touch (optional)	4 wire resistive
	Processor	Intel® Atom™ Processor D2550 1.86GHz Dual-core
	Chipset	Intel® NM10 Chipset
	BIOS	AMI 16Mbit Flash
	Memory	1 x SO-DIMM, Max 4G DDR3 800/1066
	Ethernet	Broadcom BCM57780 GbE Controller
Input/Output	Storage	Mini-PCIe SSD
	2 x USB 2.0	
	1 x VGA	
	1 x RS-232	
	1 x RS-232/422/485	
Environment	1 x DC-IN Terminal Block	
	1 x WLAN or 3G Antenna in top (optional)	
	Operating Temperature	-25 ~55°C
	Storage Temperature	-30 ~70°C
	Humidity	10 ~ 95% non-condensing
	Shock	MIL-STD-810F/EN50155
Mechanical	Vibration	MIL-STD-810F/EN50155
	Power Input	9~36V DC in (Phoenix type)
	Safety	Compliance with EN50155, MIL-STD 810F
	Driver OS Support	Windows 7 embedded, Windows XP embedded
	Dimension(W x H x D)	310 x 215 x 52.7 mm
Packing List	Approximate Weight	2.8 kg*
	*Weight of this device will be more or less depending upon actual component configuration	

I / O View:

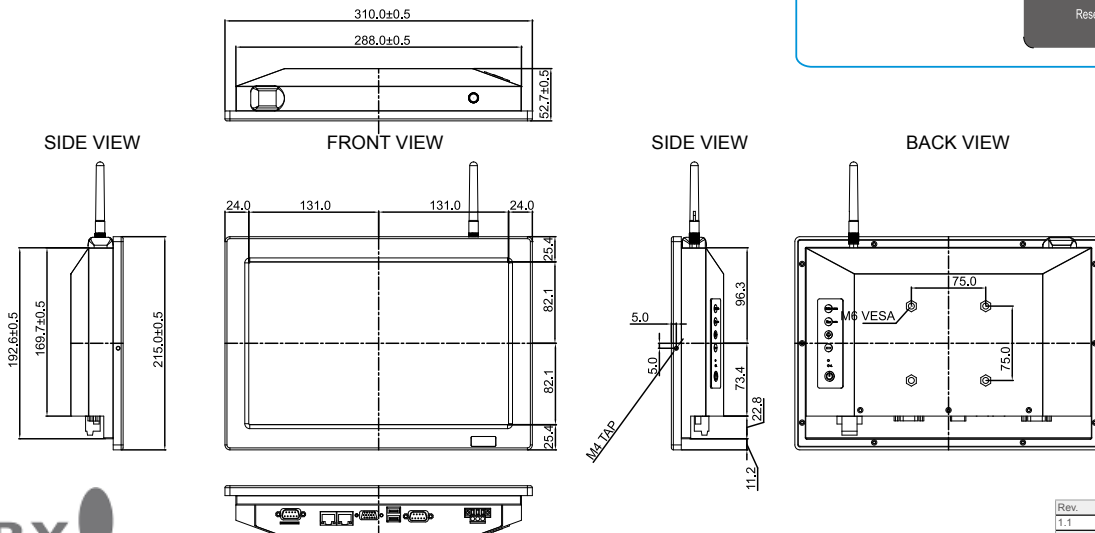


- 1.RS-232/422/485 (Optional)
- 2.SIM Slot
- 3.LAN
- 4.VGA
- 5.USB
- 6.RS-232
- 7.DC Terminal Block (default)

Front OSD Control Function:



Drawing w/o Mounting bracket:



Rev.	Reasons	Revised Date
1.1	Spec change	Nov.09.13
1.2	Spec change	Apr.08.15
1.3	Spec change	Jul.23.15