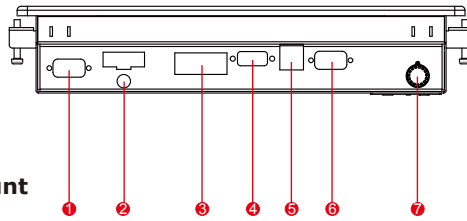
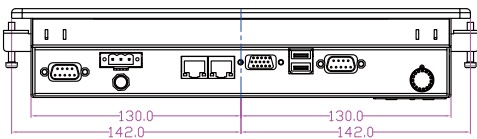
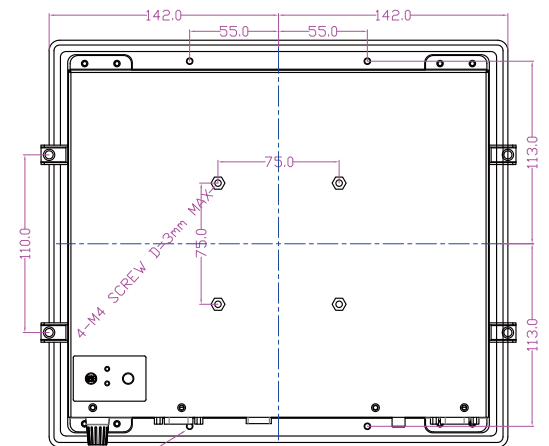
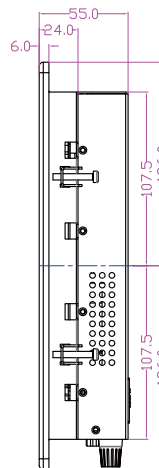
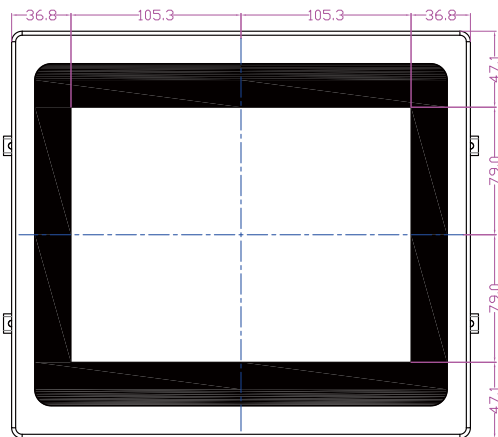




**Real Flat Panel Mount (IP65 front side)**



1. RS232
2. 12V ~ 24V DC IN (Lockable)
3. RJ - 45 (LAN) x 2
4. VGA Output
5. USB x 2
6. RS232 / 422 / 485
7. Brightness Adjustment Knob



**Specifications**

**System :**

- Processor : Intel® Atom N2600 1.6GHz
- System Chipset : Intel® NM10 Chipset
- System Memory : 2GB SODIMM DDR3-1333 (Max to 4GB)
- Storage : 32GB SATA SSD
- LAN : Dual Broadcom BCM57780 GbE Controller

**Input / Output :**

- Serial Ports : 1 x RS232/422/485  
1 x RS232
- USB Ports : 2 x USB 2.0
- Ethernet : 2 x RJ 45-10/100/1000 Mbps
- VGA : 1 x VGA (female)

**Panel Spec :**

- Size/Type : 10.4" TFT
- Resolutions : 1024x768
- Brightness : 350 nit (typ.)
- Contrast Ratio : 1200 : 1 (typ.)
- Viewing Angle : -88~88(H); -88~88(V)
- Max Colors : 16.2M colors

**Power Specifications :**

- Power Input : 12V~24V DC IN

**Mechanical Specification :**

- Cooling System : Fanless design
- Mounting : VESA Mount(75x75mm)
- Dimension (W x H x D) : 284 x 252 x 55 (mm)

**Environment Considerations :**

- Operating Temperature : 0 deg.C to 50deg.C
- Operating Humidity : 30% to 90% (non condensing)

**OS BSP / Driver Support**

- Support Windows Embedded Std.7 - WS7P

**Touch Spec**

- Projected Capacitive multi\_touch

Note: All Specifications are subject to change without prior notice!

Rev.	Reasons	Revised Date
1.1	Spec Change	Jan-30-13
1.2	Spec Change	Mar-06-13
1.2	Pic Change	May-29-13