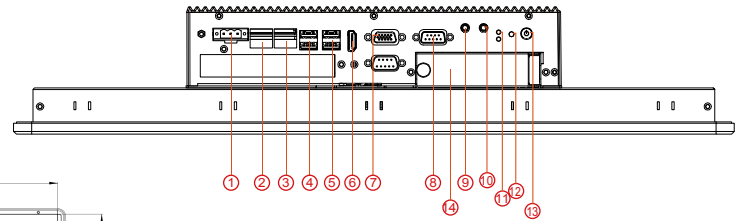
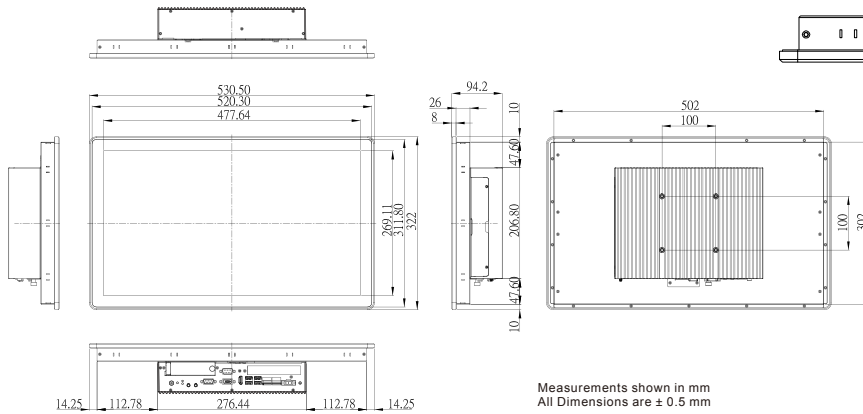




Features:

- Projected Multi Touch Screen
- Fanless Design
- Modular Design for easy service in the field
- Support wide range 12-24V isolation DC input
- Quick & Easy Removable 2 Bay 2.5" SSD Slot



- | | |
|---------------------------|-------------------|
| 1. 12-24V isolation DC-in | 8. COM1 |
| 2. LAN | 9. Audio in |
| 3. LAN | 10. Audio out |
| 4. USB 2.0 x 2 | 11. HDD indicator |
| 5. USB 2.0 x 2 | 12. Reset |
| 6. HDMI output | 13. Power Button |
| 7. VGA output | 14. 2.5" SSD Bay |

* Note: this is a simplified drawing and some components are not marked in detail. Please contact our sales representative if you need further product information.

System Specification

| | |
|-----------------------------|---|
| Processor | : Intel® Core™ i5-5200U Processor; 3M Cache up to 2.70 GHz |
| BIOS | : AMI UEFI BIOS |
| System Memory | : SODIMM DDR3L-1600 4GB, option up to 8GB (2 slots) |
| Graphic Chipset | : Intel® HD graphics 5500 |
| Ethernet | : 1000 Base-Tx Gigabit Ethernet Compatible |
| Audio | : Realtek ALC886 codec |
| USB | : 4 x USB 3.0 |
| Serial Port | : 1 x RS232/ 422 / 485, 1 x RS232 isolation |
| Expansion Slot | : 1 x PCIe x4 |
| Main Storage | : Built-in 64G mSATA SSD |
| Second Storage (optional) | : Removable 2.5" 128G SSD x1 |
| Touch Screen | : Projected Capacitive |
| Operating system (optional) | : Windows Embedded Standard 7 Windows Embedded 8 Standard Windows 10 IoT Enterprise |

Power Supply

| | |
|---------------|---|
| Power Input | : 12-24V isolation DC in with protection Fuse |
| Power Adapter | : 110-240AC to 12V DC out 80W power Adapter |

Environmental Specification

| | |
|-----------------------|--|
| Operation Temperature | : 0~ 50°C |
| Operating Humidity | : 30%-95% at 40°C (non-condensing, RH) |
| Water Proof | : Front: IP65; Rear: IP20 / Fanless |

I/O Connectors

| | |
|----------------|---|
| I/O Connectors | : 12-24V isolation DC in x1 (Terminal Block 3pin) |
| | Gigabit LAN x2 |
| | USB3.0 x4 |
| | HDMI Output x1 |
| | D-Sub15 (VGA) Output x1 |
| | RS232/422/485 selectable serial port x1 |
| | RS232 isolation serial port x1 |
| | Audio in Jack x1 |
| | Audio out Jack x1 |
| | Reset key x1 |
| | Power Button x1 |
| | 2.5" SSD indicators x2 |

Accessories

- Mounting clips & screws
- 12V 80W power adapter
- Power cord
- Driver CD

Display Specification

| | |
|---------------------|---------------------------|
| Display Size | : 21.5" |
| Active Display Area | : 476.64 (H) x 268.11 (V) |
| Pixel Pitch | : 0.248(H) x 0.248(V) |
| Display Color | : 16.7M |
| Resolution | : 1920 x 1080 |
| Brightness | : 250 nits |
| Contrast Ratio | : 3000:1 (Typ.) |
| Viewing Angle | : 89/89/89/89 |

Mechanical Specification

| | |
|-----------|----------------------------------|
| Mounting | : Wall Mount / VESA Mount |
| Dimension | : 530.5 (L) x 322 (W) x 94.2 (H) |